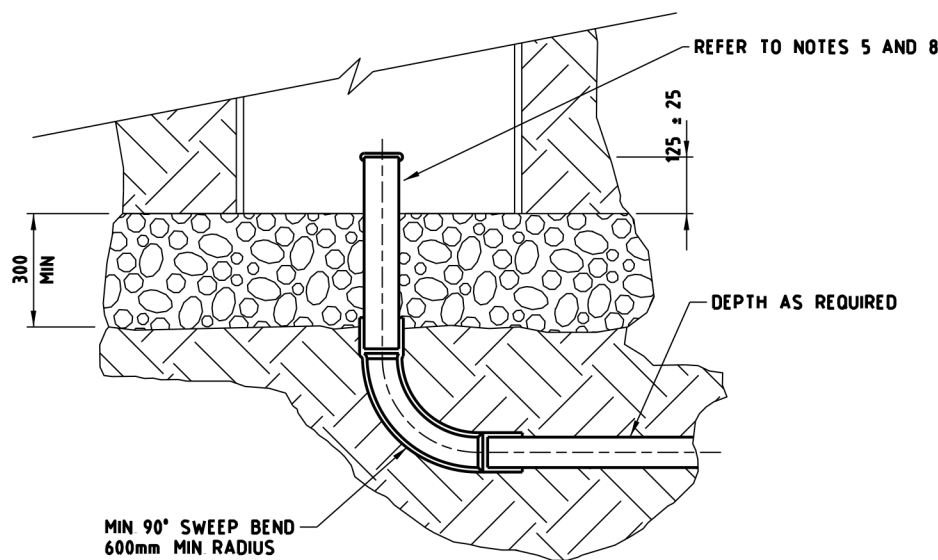


TYPICAL SIDE ENTRY
SECTION B



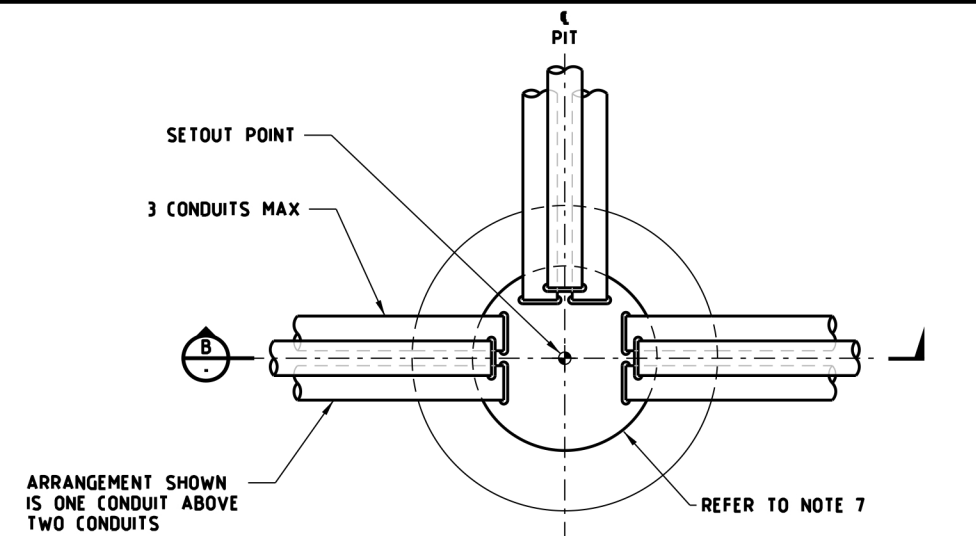
TYPICAL BASE ENTRY

NOTES

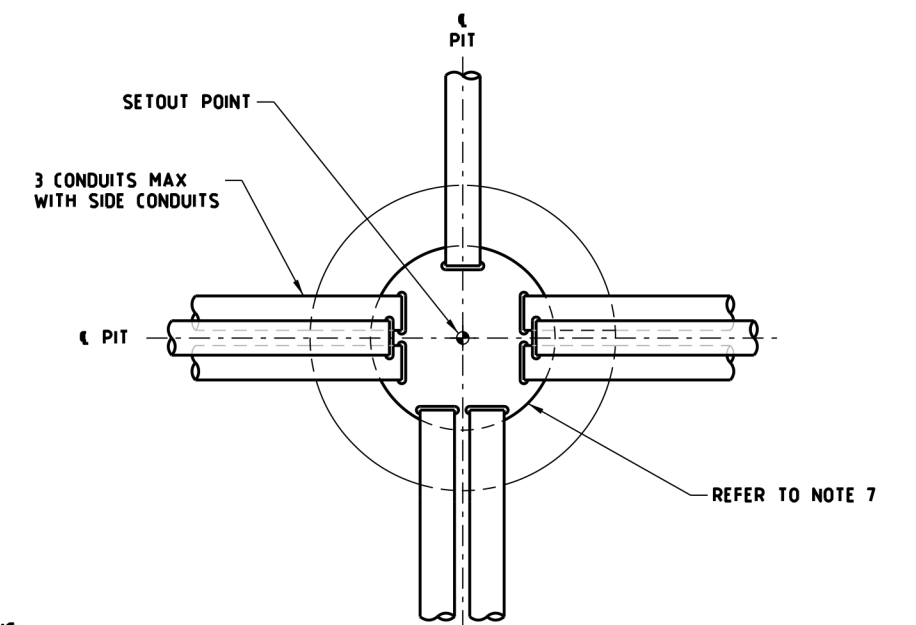
- 1 DIMENSIONS SHOWN ARE IN MILLIMETERS, UNO
- 2 AVOID DISTORTION DURING COMPACTION SUCH THAT THE MINIMUM DIAMETRIC DIMENSION EXCEEDS 725mm
- 3 ENDS OF CONDUITS TO BE TRIMMED NEATLY AND FREE FROM SHARP EDGES OR BURRS AND SHALL BE FITTED WITH CONDUIT BUSHES
- 4 THIS DRAWING TO BE USED IN CONJUNCTION WITH STANDARD SECTION 733
- 5 BASE ENTRY TO BE USED ONLY WHERE DEEP CONDUIT RUNS ARE REQUIRED
- 6 MAXIMUM OF 9 X 100mm AND 1 X 50mm CONDUITS PER PIT WHERE ROAD CROSSING CONDUITS ARE REQUIRED, MAXIMUM OF 3 TO ENTER BASE (50mm CONDUITS ARE REQUIRED FOR STREET LIGHTING CONNECTION FROM TRUNK TO POLE)
- 7 REFER TO STANDARD DRAWINGS TC-2216 - CABLE PIT FORMER AND TC-2217 CABLE PIT ACCESS COVER, FRAME AND PRECAST CONCRETE SURROUND
- 8 BASE ENTRY CONDUITS MUST BE APPROPRIATELY SEALED WITH DUCT TAPE AT ALL TIMES UNTIL REQUIRED FOR CABLING
- 9 ALL CONDUITS ENTRY AND EXIT POINTS INTO PIT WALLS TO BE SEALED WITH CEMENT MORTAR TO PROVIDE WATERTIGHT SEAL
- 10 CABLE PIT SHOWN IS A 750mm PIT WITH A 610mm COVER
- 11 APPROPRIATE LABELLING PLATES SHALL BE PERMANENTLY FIXED TO THE CONCRETE SURROUND INDICATING THE TYPE AND DIRECTION OF EACH CONDUIT ROUTE
- 12 REINFORCEMENT RINGS 750 DIA AND 900 DIA WIRE WITH EIGHT LIGATURE

MATERIALS REQUIRED PER PIT

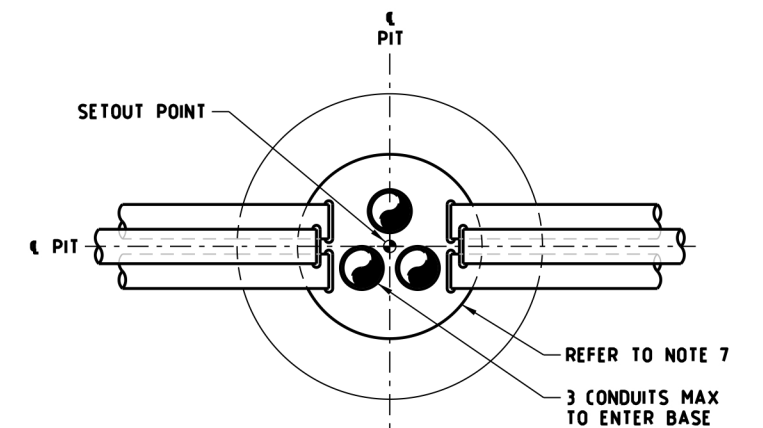
- CABLE PIT FORMER
- ACCESS COVER AND FRAME, WITH COVER SUITABLY INSCRIBED AS PER SPECIFICATION
- HEAVY DUTY ORANGE CONDUIT AS REQUIRED
- REINFORCEMENT RINGS AS REQUIRED
- CONDUIT JOINTING CEMENT, CRUSHED ROCK, CONCRETE, MORTAR ETC AS REQUIRED



TYPICAL SIDE ENTRY CONFIGURATION 1



TYPICAL SIDE ENTRY CONFIGURATION 2



TYPICAL ROAD CROSSING CONFIGURATION

E			
D			
C			
B			
A	W H	12/2018	REVISION OF DETAIL
ISSUE	APP'D	DATE	AMENDMENT

GENERAL NOTES	
---------------	--

DESIGNED	M80 UPGRADE	07/2015
APPROVED	W HARVEY - MANAGER ITS INFRASTRUCTURE & SYSTEM 08/2015	
CAT:	SCALE OF METRES	
PROJ:	NTS	
FILE	HOR	VER



STANDARD DRAWING MANAGED MOTORWAY				
PIT AND CONDUIT ARRANGEMENTS 750mm ROUND ELECTRICAL CABLE PIT				
FILE NO	CONTRACT NO	SHEET NO	DRAWING NO	ISSUE
			TC-2201	A